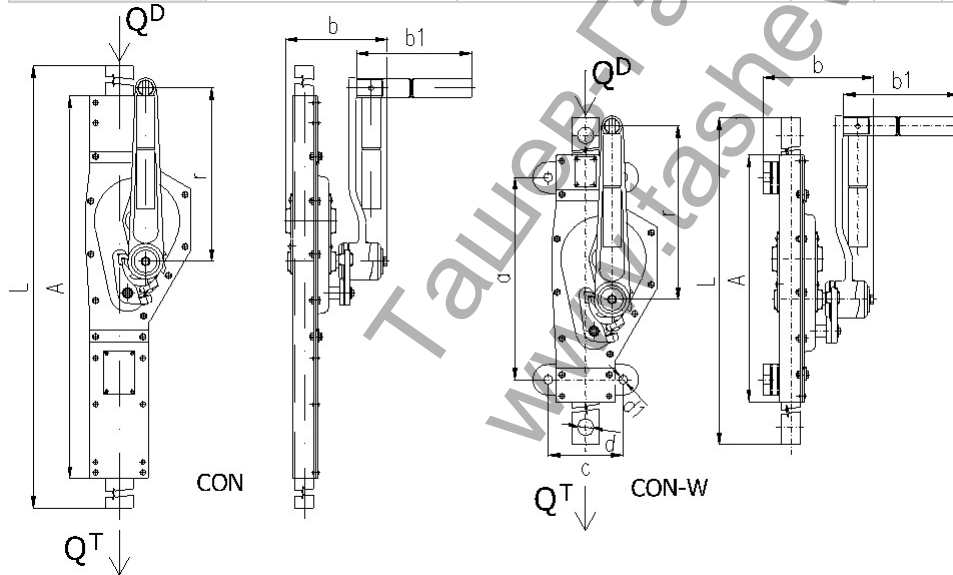


During drawing load the lift will be smaller than stated in the chart. For lifting capacity 2,5t – of 230mm, for lifting capacity 5t – of 250 mm, for liting capacity – of 360 mm.

Type	Lifting capacity (t)	Operating force on crank (N)	Main dimensions (mm)										Lift	Weight (kg)
			L	A	a	b	b1	c	d	d1	r			
15-00-CON-W	2,5	380	660	360	320	180	200	80	25	13	250	345	12,8	
			970									580	15,2	
			1200									850	17	
15-00-CON-W	5	550	690	427	350	190	200	80	30	13	300	360	22,1	
			970									605	25,6	
			1200									850	28,5	
15-01-CON-W	10	540	690	580	490	225	200	80	30	13	300	345	35	
			970									615	40	
			1200									825	45	
15-00-CON	2,5	380	660	655	-	-	200	-	-	-	250	345	11,4	
			970									680	13,8	
			1200									850	15,6	
15-00-CON	5	550	690	662	-	-	200	-	-	-	300	360	19	
			970									680	22,5	
			1200									850	25,4	
15-01-CON	10	540	690	670	-	-	200	-	-	-	300	345	33	
			970									615	38	
			1200									825	43	



Qt – tensile load, QD – pressure load



Ташев-Галвинг ООД
www.tashev-galving.com